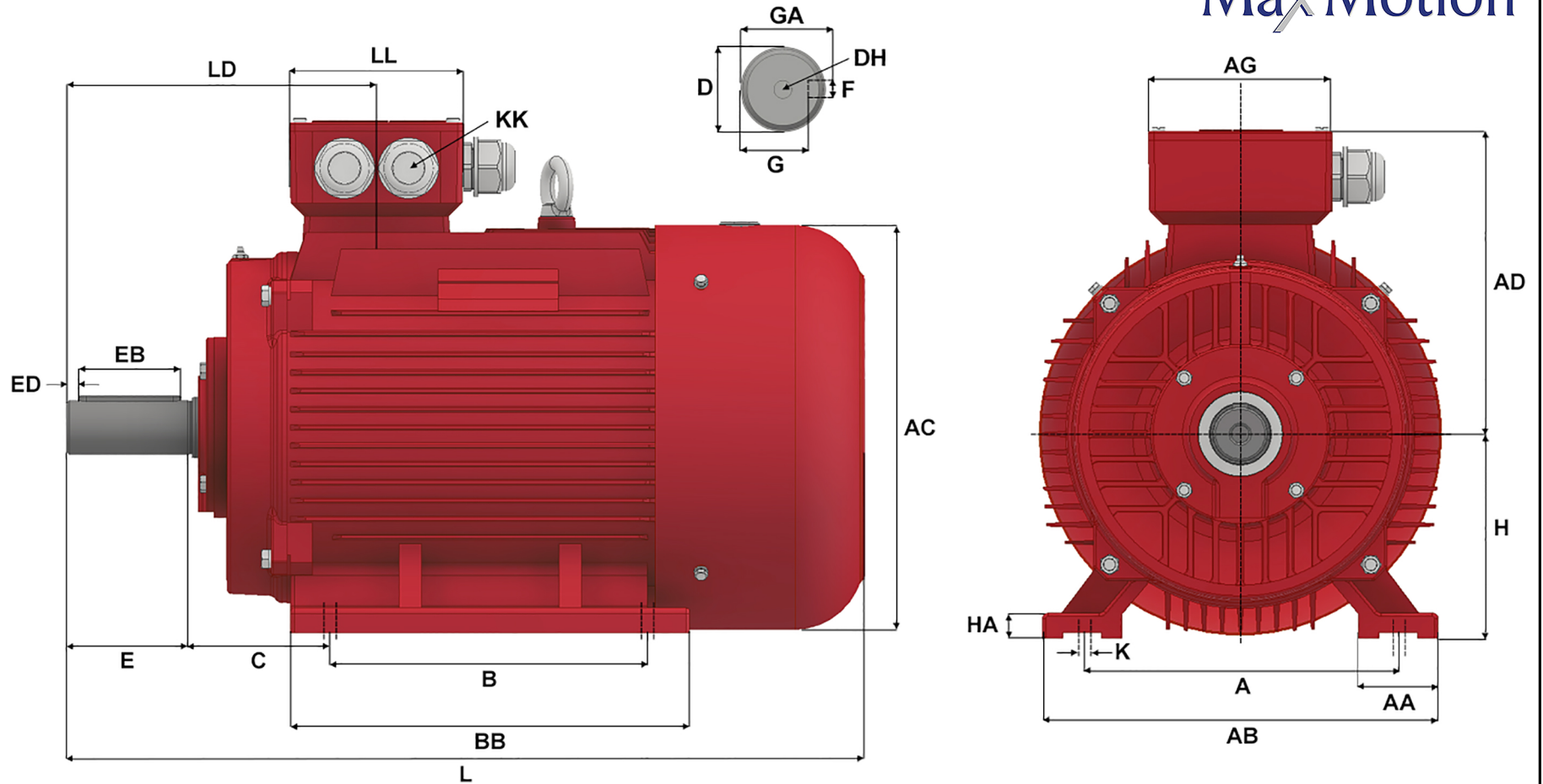


MaxMotion



Version: 1JLEM				Revised: 09-11-2019			HP	RPM	FRAME	ENCLOSURE	IJC315S-6-B3		
Customer is responsible in determining that Max Motion product will fit/perform suitably in the intended application							100	1180	315S	TEFC			
A	B	C	D	E	F	G	H	K	L	AA	AB	AC	
508	406	216	80	170	22	71	315	4 - Ø 28	1208	120	628	620	
AD	AG	BA	BB	DH	EB	ED	GA	HA	KK (1)	KK (2)	KK (3)	LD	
527	320	0	570	M20 X 42	160	5	85	45	M63 X 1.5	2" NPT	M16 X 1.5	427	
LL													
280													